

## DIGITAL HOME SAFE BOX (ET) INSTRUCTION MANUAL

**Please do not keep spare keys in your safe !!!**

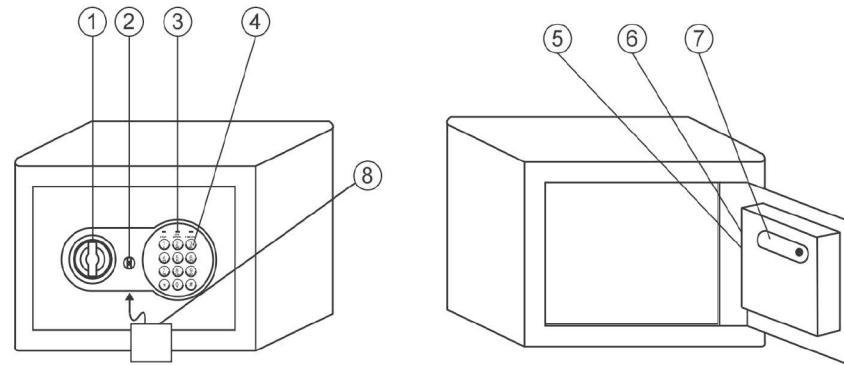
Dear valued customer:

Thank you for choosing our products! You've taken an important step in organizing and protecting your most valued possessions. Every Series of our safes is professionally made and designed to provide safety.

Please take time to read and familiarize yourself with the proper operating procedures of your new safe presented on the following pages.

Again, thank you for choosing our products!

### COMPONENT DESCRIPTION



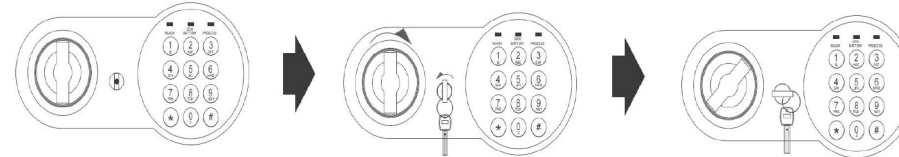
- ① Knob    ②Emergency Keyhole    ③Indicator Light    ④Digital Keyboard
- ⑤ Built-in Lamp    ⑥Reset Button    ⑦Battery Box    ⑧External battery box

### PACKAGE INCLUDES

- 1 × Digital Home Safe Box
- 2 × Emergency Keys
- 1 × Emergency Battery Box
- 1 × Mounting Accessories
- 1 × Instruction Manual

### OPENING YOUR SAFE FOR THE FIRST TIME

- Find the emergency keys in the accessories bag.
- Remove emergency lock cover.
- Insert the emergency key, and turn it anticlockwise.
- Turn the knob clockwise to open the door.



#### CAUTION:

- When opening the safe for the first time, you should use the emergency key to open it.
- When you have forgotten the codes, you can also use the emergency key to open the safe.
- Finish operation, pull out the emergency key and keep it in a safe place.

### INSERTING THE BATTERIES

- Open the door.
- Insert **4 × AA batteries** ( Not included ) into the battery compartment.
- Normally, if the red light is on, it means the voltage is low and you should insert new batteries.

#### CAUTION:

- Replace 4 new batteries. Always insert batteries correctly with regards to polarity ( + and - ) marked on the battery and the product.
- When the internal batteries are out of power. Please replace the new batteries and reset the user password.

### OPENING THE DOOR WITH THE CODE



- Input your user code ( 3 to 8 digits ) , each pressing results one buzzer beep and yellow light flashes.
- Press " # " button to confirm, the green light will be on.
- Rotate the knob clockwise and pull outwards within 5 seconds to open the door.

#### CAUTION:

The preset code " **159** ". Before closing the safe, enter the new code and make sure the safe can be opened. If the code is entered incorrectly, the buzzer will sound 3 times and the yellow light will flash 3 times. You need to enter your code again.

## CLOSING THE DOOR

- Turn the knob anticlockwise to close the door.

## SETTING THE USER CODE

- With the door open, press the reset button, start setting code when the yellow light goes on;
- Input the new user code ( 3 to 8 digits ), and press " # " to confirm. The buzzer will beep twice and the yellow light will flash twice. It means the setting is successful.
- If the yellow light flashes with 3 buzzer beeps, which means the code changing is not effective, and you need to try again.

### CAUTION:

Before closing the safe, enter the new code and make sure the safe can be opened.

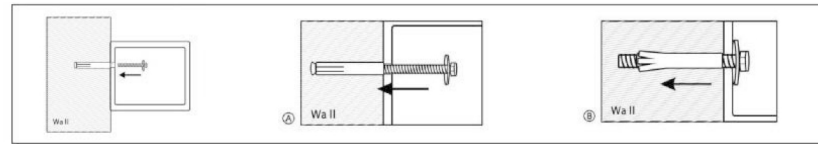
## ALARM FUNCTION

- If the wrong code is entered 3 times continuously, the keyboard will be locked for 20 seconds and the buzzer will sound for 20 seconds.
- If the wrong code is entered 6 times continuously, the keyboard will be locked for 5 minutes and the buzzer will sound for 5 minutes.

### CAUTION:

The keyboard would be disabled during the beeping. You can only stop the beeps by opening the safe with emergency key and power-cut by removing the battery.

## MOUNTING



- Drill holes for expansion bolts (or clamping screws) in the right place;
- Turn the expansion bolts anticlockwise to separate;
- Use the expansion bolts (or clamping screws) to secure the case to the wall;
- Make sure the case is mounted in place as required and then tighten all screws.

### CAUTION:

- Use the expansion bolts when there is the concrete wall surface.
- Use the clamping screws when there is the wooden wall surface.